

## Highlights:

- Polycarbonate (PC) frame
- Unbreakable, impact resistant polyethylene (PE) drum
- Lightweight (1.8 kg)

The CDM310 is a cable reel designed for intensive and professional use constructed using lightweight, extremely strong and impact resistant materials. The frame construction is made of polycarbonate (PC) materials while the drum is made by impact resistant polyethylene (PE). The lightweight construction in combination with the ergonomic grip allows easy carriage for mobile applications. The front side is fitted with an external cable winder allowing easy and clean winding of a patch tail, which can be replaced by a variation of optional center plates with different connector cutouts (depending of the application). The drum dimension of Ø 312 mm allows winding of a standard microphone cable (Ø6.5mm) up to 140 meters.

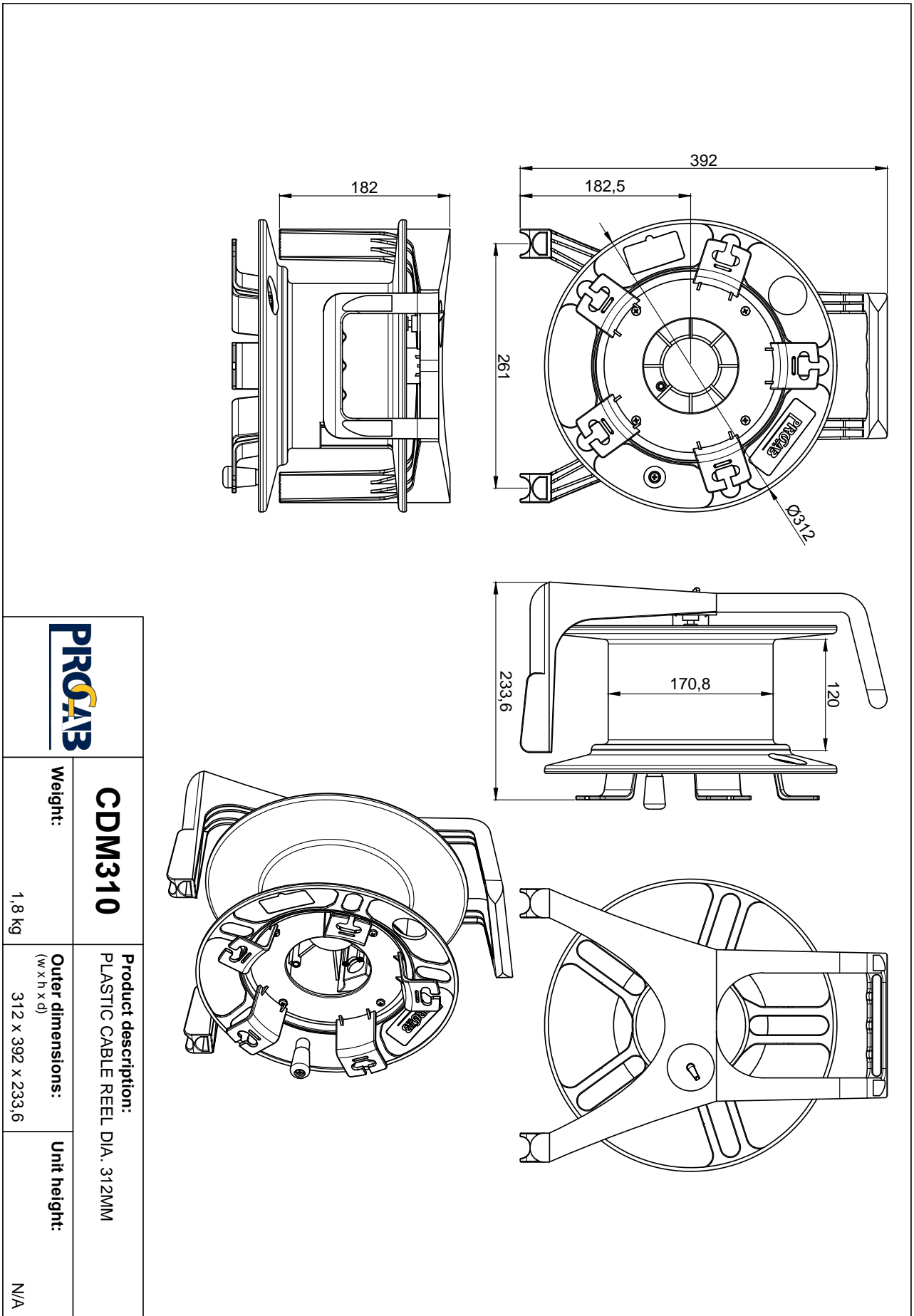


## Usage:



## Product Features:

Drum	Inner diameter	171 mm (Ø)
	Outer diameter	312 mm (Ø)
	Depth	120 mm
Construction		Steel tubular frame
		Impact resistant plastic drum
Dimensions		312 x 392 x 234 mm (W x H x D)
Weight		4 kg



**CDM310**

**Weight:**

1,8 kg

**Product description:**  
PLASTIC CABLE REEL DIA. 312MM

**Outer dimensions:**  
(w x h x d)

312 x 392 x 233,6

**Unit height:**

N/A

## CDM310 Cable capacity:

---

Cable Ø (mm)	Length (m)
3	640
4	360
5	230
6	160
7	120
8	90
9	70
10	58
11	48
12	40
13	35
14	30
15	25