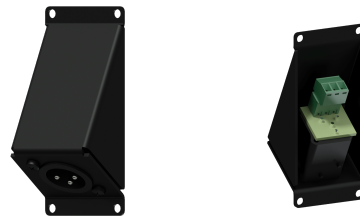


CASY 1 space angled with XLR male to 3-pin terminal block


Product information:

The CASY124 is a CASY module with a male XLR connector placed in an angle on the front side and a solderless terminal block on the backside. This flexible structure for system integration & connectivity can easily be implemented in a wide variety of CASY chassis.



Product Features:

Dimensions	35.5 x 82.1 mm (W x H)	
Weight	0.076 kg	
Module	Space	1
Connection	XLR male (NAC3MAAV) to 3-pin terminal block	

	<p>CASY124</p> <p>Weight:</p> <p>76 g</p>	<p>Product description:</p> <p>CASY 1 SPACE ANGLED WITH XLR MALE TO 3-PIN TB</p> <p>Outer dimensions: (w x h x d)</p> <p>35,5 x 82,1 x 38,4</p>	<p>Unit height:</p> <p>2 HE</p>
	