

## CASY 1 space with 2x XLR female to 3-pin terminal block

### Highlights:

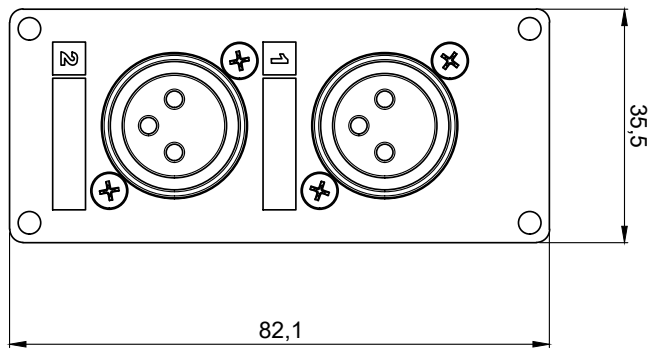
- Flexible system for system integration & connectivity
- Compatible with any CASY chassis
- XLR connectors by Neutrik
- Solderless connections
- 1.5 mm thick cold rolled steel frame
- Structured and scratch resistant black powder coating
- Assembly screws included


The CASY125 is a CASY module with two female XLR connectors on the front side and solderless terminal blocks on the backside. This flexible structure for system integration & connectivity can easily be implemented in a wide variety of CASY chassis.



### Product Features:

Dimensions	35.5 x 82.1 mm (W x H)		
Weight	0.050 kg		
Connection	2 x XLR Female (NAC3FAAV) to 3-pin terminal block		
Module	Space	1	



	
<b>CASY125</b>	<b>Product description:</b> CASY 1 SPACE WITH 2 X XLR FEMALE TO 3-PIN TB
<b>Weight:</b> 50 g	<b>Outer dimensions:</b> (w x h x d) 35,5 x 82,1 x 47,7
	<b>Unit height:</b> 2 HE