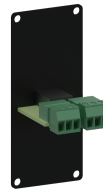
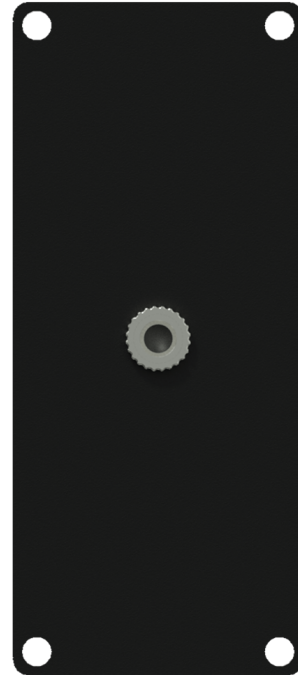


Highlights:


- Flexible system for system integration & connectivity
- Compatible with any CASY chassis
- Solderless connections
- 1.5 mm thick cold rolled steel frame
- Structured and scratch resistant black powder coating
- Assembly screws included

The CASY136 is a CASY module with a female 3.5 mm mini jack connector on the front side of the module and a 3-pin terminal connector on the back. This flexible structure for system integration & connectivity can easily be implemented in a wide variety of CASY chassis.



Product Features:

Dimensions	35.5 x 82.1 mm (W x H)	
Weight	0.043 kg	
Connection	3.5 mm jack female to 3-pin terminal block	
Module	Space	1

	<h1>CASY136</h1>			<p>Product description: CASY 1 SPACE WITH 3.5MM JACK TO 3-PIN TB</p>
<p>Weight:</p> <p>43 g</p>	<p>Outer dimensions: (w x h x d)</p> <p>35,5 x 82,1 x 40,5</p>	<p>Unit height:</p> <p>2 HE</p>	