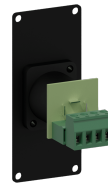


## Casy 1 space with male SpeakON to 4-pin terminal block

### Highlights:


- Flexible system for system integration & connectivity
- Compatible with any CASY chassis
- SpeakON connectors by Neutrik
- Solderless connections
- 1.5 mm thick cold rolled steel frame
- Structured and scratch resistant black powder coating
- Assembly screws included

The CASY141 is a CASY module with a male NL4MP SpeakON connector on the front side and a 4-pin terminal block connector on the back side. This flexible structure for system integration & connectivity can easily be implemented in a wide variety of CASY chassis.



### Product Features:

Dimensions	35.5 x 82.1 mm (W x H)		
Weight	0.054 kg		
Connection	SpeakON (NL4MP) to 4-pin terminal block		
Module	Space	1	

	<h2>CASY141</h2>			<b>Product description:</b> CASY 1 SPACE WITH SPEAKON TO 4-PIN TB
<b>Weight:</b> 54 g	<b>Outer dimensions:</b> (w x h x d) 35,5 x 82,1 x 53,4	<b>Unit height:</b> 2 HE	