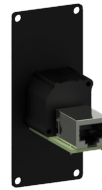
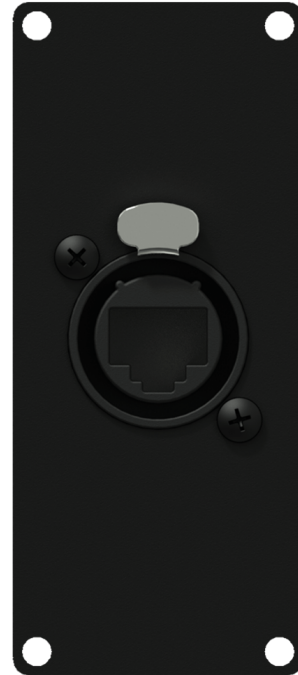


Highlights:


- Flexible system for system integration & connectivity
- Compatible with any CASY chassis
- EtherCON connectors by Neutrik
- Solderless connections
- 1.5 mm thick cold rolled steel frame
- Structured and scratch resistant black powder coating
- Assembly screws included

The CASY167 is fitted with a NE8FAH Ethercon connector on the front side and a female RJ45 connector on the back. This flexible structure for system integration & connectivity can easily be implemented in a wide variety of CASY chassis.



Product Features:

Dimensions		35.5 x 82.1 mm (W x H)
Weight		0.043 kg
Module	Space	1
Connection		Ethercon (NE8FAH) to RJ45

	<h1>CASY167</h1>			Product description: CASY 1 SPACE ETHERCON TO RJ45
Weight: 43 g	Outer dimensions: (w x h x d) 35,5 x 82,1 x 52,5	Unit height: 2 HE		

