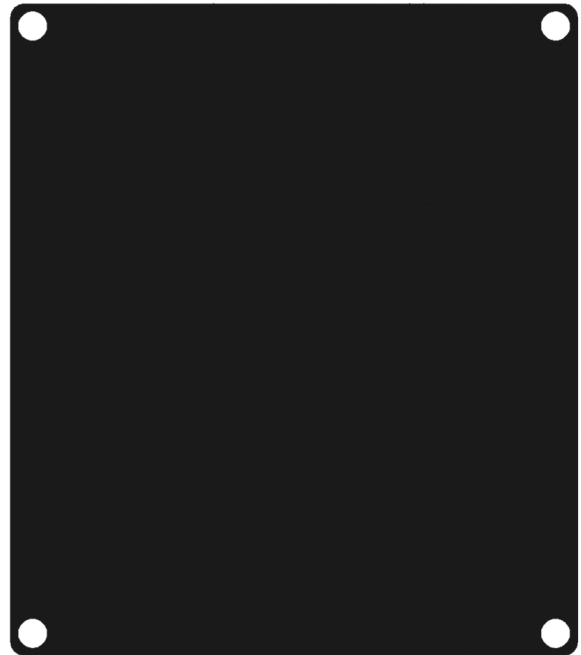


## Highlights:

---

- Flexible system for system integration & connectivity
- Compatible with any CASY chassis
- 1.5 mm thick cold rolled steel frame
- Structured and scratch resistant black powder coating
- Assembly screws included


The CASY201 closed blind plate can cover two module spaces in a CASY chassis. This flexible structure for system integration & connectivity can easily be implemented in a wide variety of CASY chassis.



## Product Features:

---

Dimensions		71.5 x 82.1 mm (W x H)
Weight		0.068 kg
Module	Space	2

		<b>Weight:</b> 68 g	<b>CASY201</b>	<b>Outer dimensions:</b> (w x h x d) 71,5 x 82,1 x 1,5	<b>Product description:</b> CASY 2 SPACE CLOSED BLIND PLATE	<b>Unit height:</b> 2 HE
	