

### Highlights:

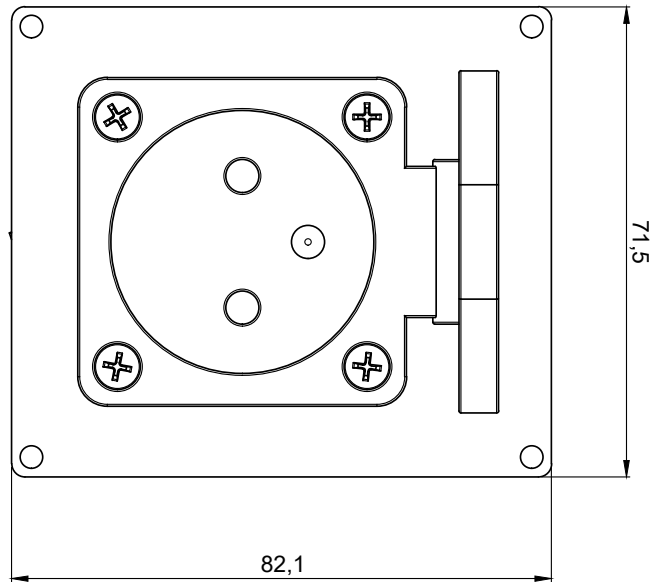
- Flexible system for system integration & connectivity
- Compatible with any CASY chassis
- Solderless connections
- 1.5 mm thick cold rolled steel frame
- Structured and scratch resistant black powder coating
- Assembly screws included


The CASY285F is fitted with a type E French power socket (IP54) on the front side, that leads to a pigtail GST18 male connector on the back. This flexible structure for system integration & connectivity can easily be implemented in a wide variety of CASY chassis.



### Product Features:

Dimensions	71.5 x 82.1 mm (W x H)	
Weight	0.126 kg	
Connection	French socket (IP54) Female type E to GST18 male	
Module	Space	2



	<b>CASY285F</b>		
<b>Weight:</b>			
126 g	<b>Outer dimensions:</b> (w x h x d) 71,5 x 82,1 x 39	<b>Unit height:</b> 2 HE	