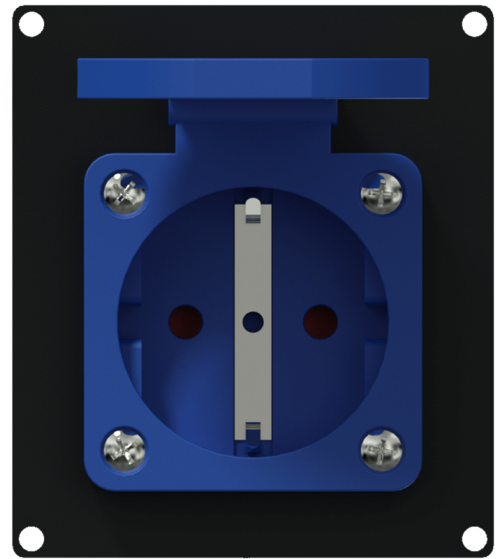


Highlights:

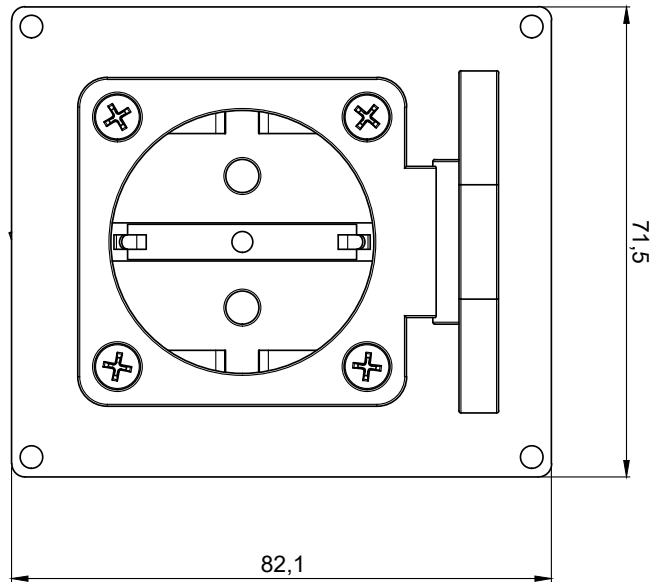
- Flexible system for system integration & connectivity
- Compatible with any CASY chassis
- Solderless connections
- 1.5 mm thick cold rolled steel frame
- Structured and scratch resistant black powder coating


The CASY285G is fitted with a type F German power socket (IP54) on the front side, that leads to a pigtail GST18 male connector on the back. This flexible structure for system integration & connectivity can easily be implemented in a wide variety of CASY chassis.



Product Features:

Dimensions	71.5 x 82.1 mm (W x H)
Weight	0.124 kg
Connection	German socket (IP54) Female type F (CEE 7/4) to GST18 male
Module	Space 2



	CASY285G			Product description: CASY 2 SPACE WITH GERMAN SCHUKO OUTLET IP44
Weight:				